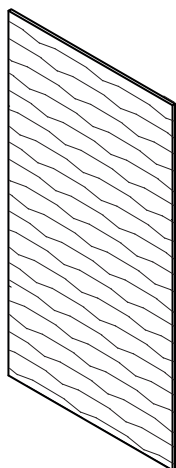
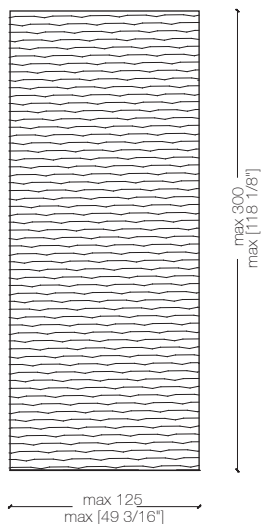


\_dimension limits

**wall panel** - pannello boiserie -  
wandpaneel - panneau boiserie - Стеновая панель

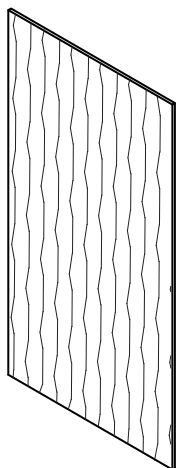


horizontal  
onda carving

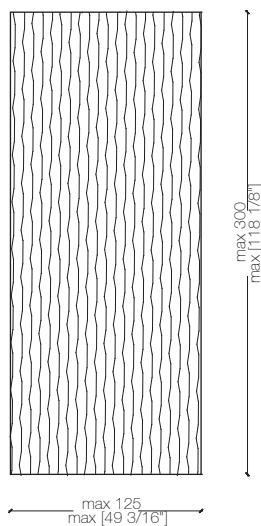


\_dimension limits

**wall panel** - pannello boiserie -  
wandpaneel - panneau boiserie - Стеновая панель



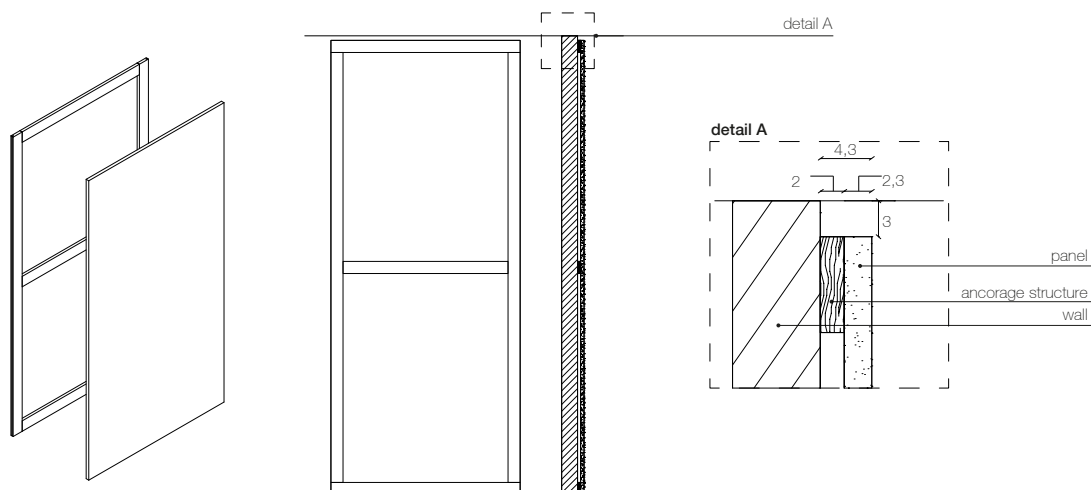
vertical  
onda carving



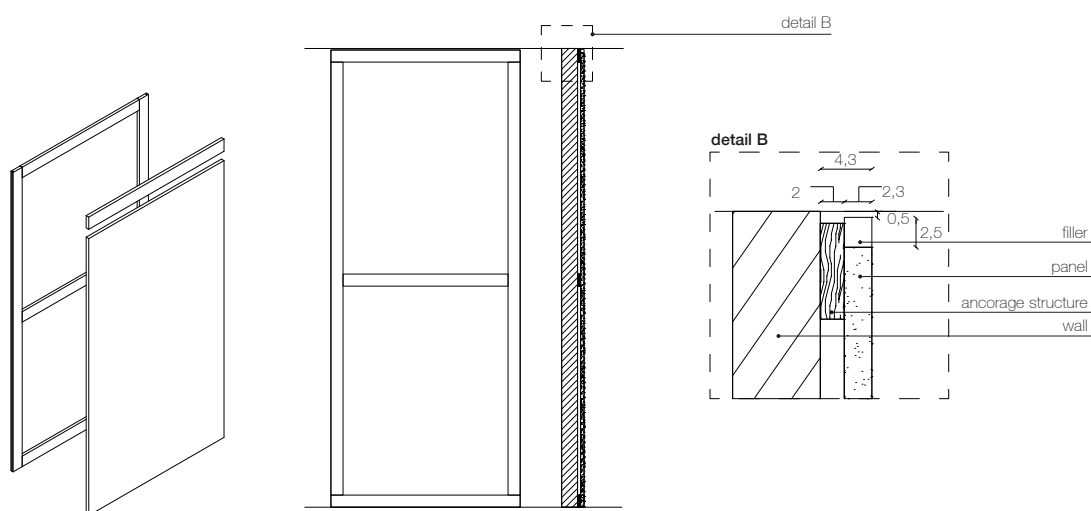
-Dimensions in centimeters and inches.  
The right to discontinue and make changes is reserved.  
This information is based on the latest product information available at the time of printing.

\_dimensions limits

**wall panel** - pannello boiserie -  
wandpaneel - panneau boiserie - Стеновая панель

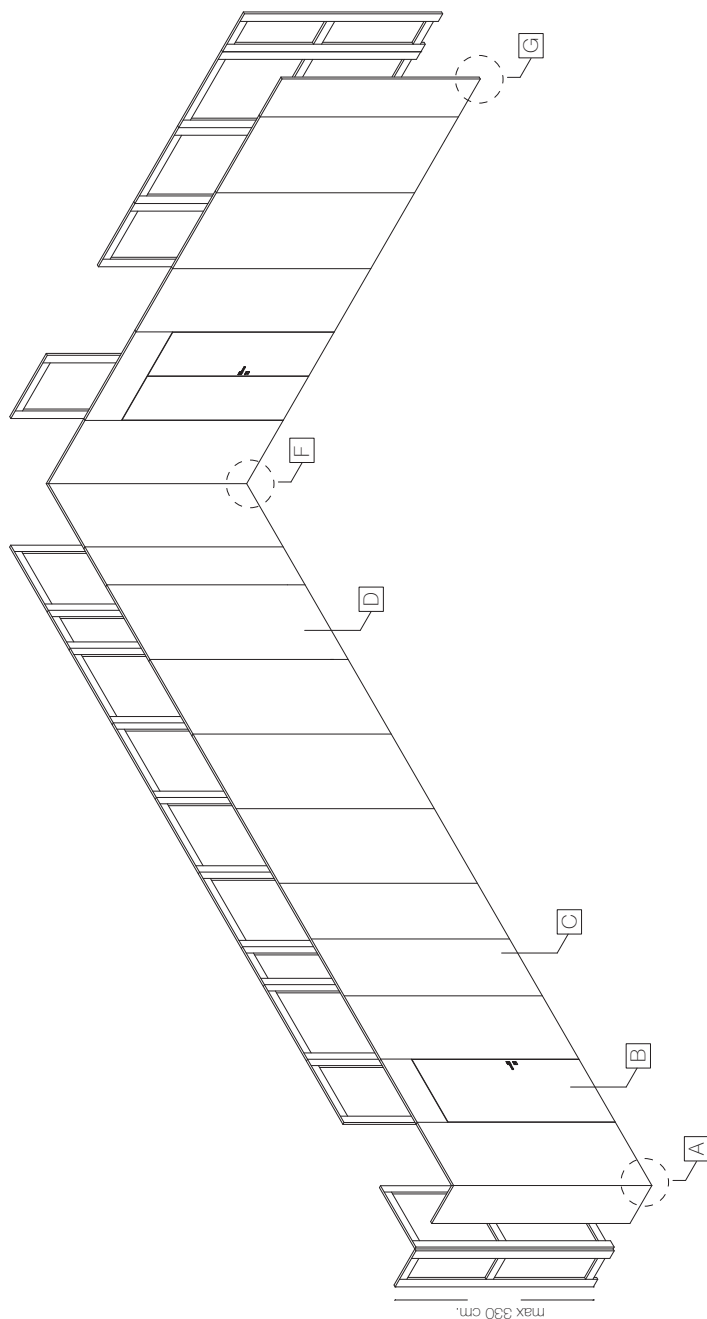


**wall panel with closing band** - pannello boiserie con fascia di chiusura -  
wandpaneel mit schlussband - panneau boiserie avec bande de fermeture  
Стеновая панель с закрывающей лентой



-Dimensions in centimeters and inches.  
The right to discontinue and make changes is reserved.  
This information is based on the latest product information available at the time of printing.

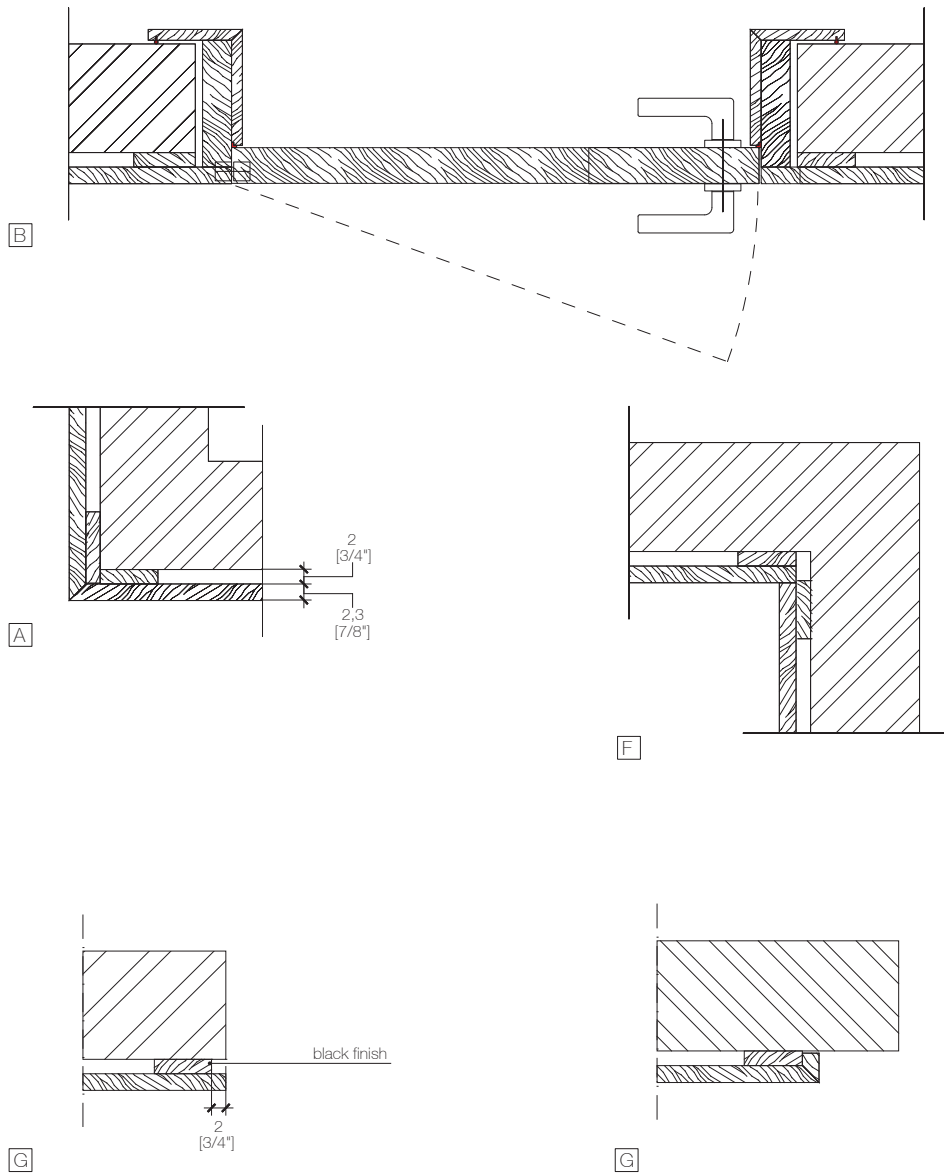
\_dimensions



**wall panel system with hinged doors** - sistema boiserie con porte battenti  
wandpannelee system mit flügeltüren - système boiserie avec portes  
battantes - система стеновых панелей с распашными дверями

-Dimensions in centimeters and inches.  
The right to discontinue and make changes is reserved.  
This information is based on the latest product information available at the time of printing.

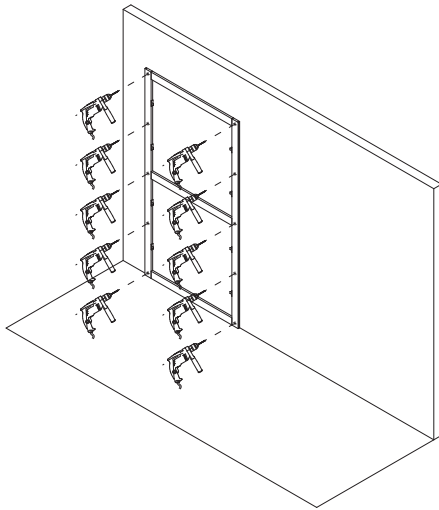
\_dimensions



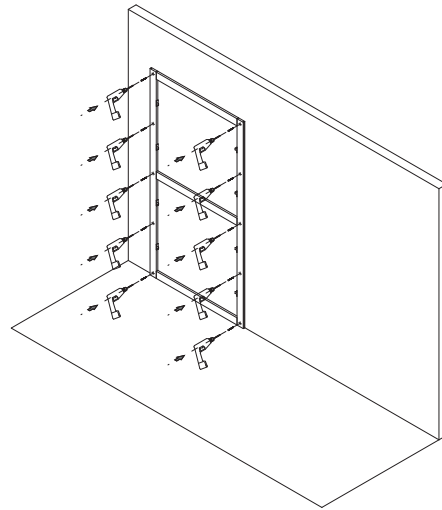
-Dimensions in centimeters and inches.  
The right to discontinue and make changes is reserved.  
This information is based on the latest product information available at the time of printing.

\_assembly instruction

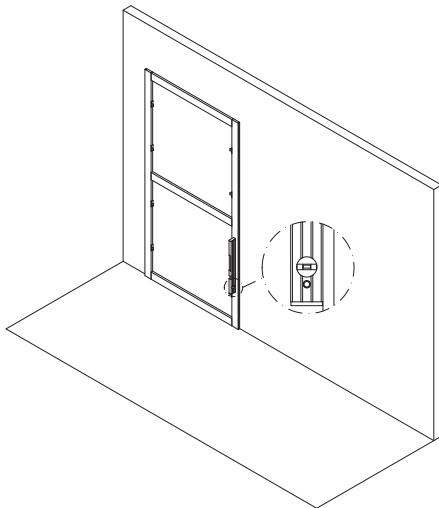
wall panels



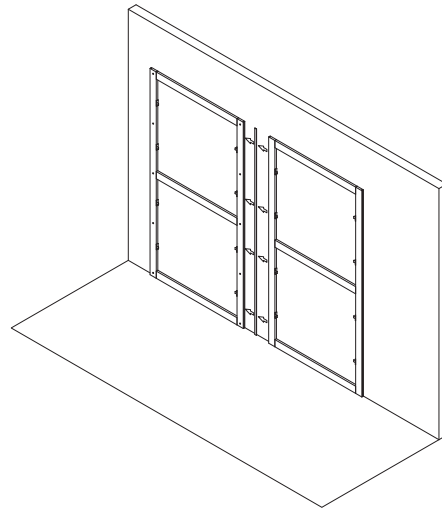
**1** Drill the frame and the wall. Insert in the wall the plugs suitable for the existent wall.



**2** Screw the frame to the wall.



**3** Check the vertical alignment.



**4** Place the alignment band into the proper milling on the frame. Place the second frame mortising it, through the proper milling, with the first one, already fixed to the wall.

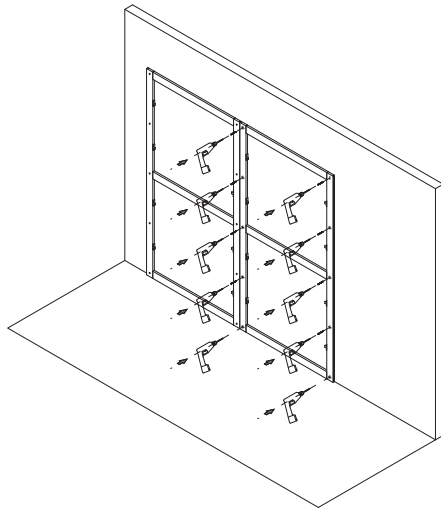
-Dimensions in centimeters and inches.

The right to discontinue and make changes is reserved.

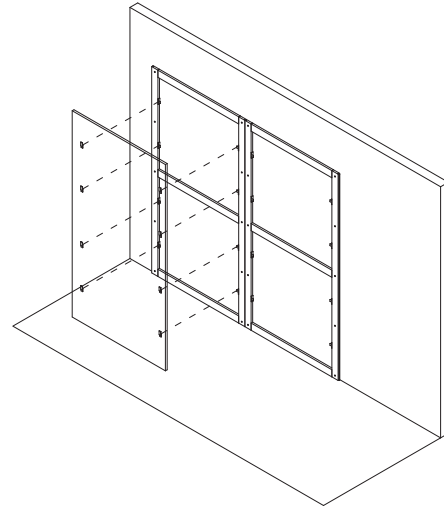
This information is based on the latest product information available at the time of printing.

\_assembly instruction

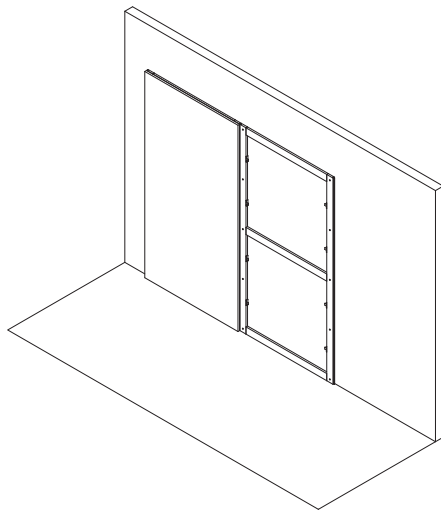
wall panels



**5** Repeat the operations nr. 1 - 2 - 3 - 4 for all the frames to be installed.



**6** Hook the wall panel through the pre-mounted frame supports and the respective ones pre-installed on the panel.



**7** Proceed with the next panels.

-Dimensions in centimeters and inches.  
The right to discontinue and make changes is reserved.  
This information is based on the latest product information available at the time of printing.