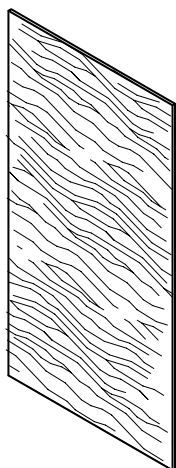
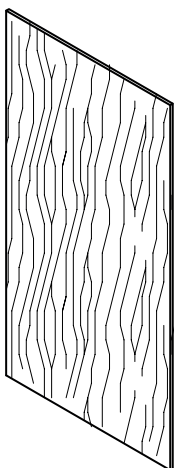


\_range

**wall panel** - pannello boiserie -  
wandpaneel - panneau boiserie - Стеновая панель



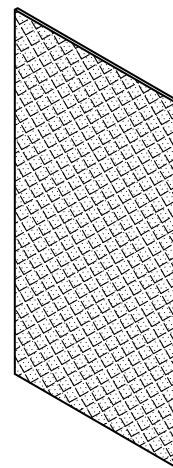
horizontal  
plain wood



vertical  
plain wood



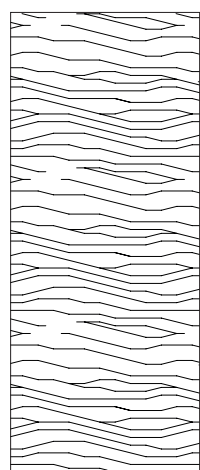
brushed matt  
lacquered



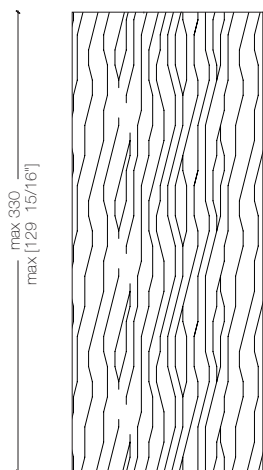
fabric

\_dimension limits

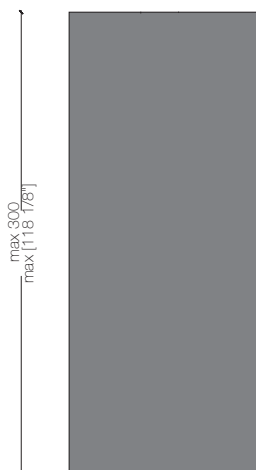
**wall panel** - pannello boiserie -  
wandpaneel - panneau boiserie - Стеновая панель



max 125  
max [49 3/16"]



max 125  
max [49 3/16"]



max 125  
max [49 3/16"]



max 125  
max [49 3/16"]

max 330  
max [129 15/16"]

max 300  
max [118 17/8"]

max 330  
max [129 15/16"]

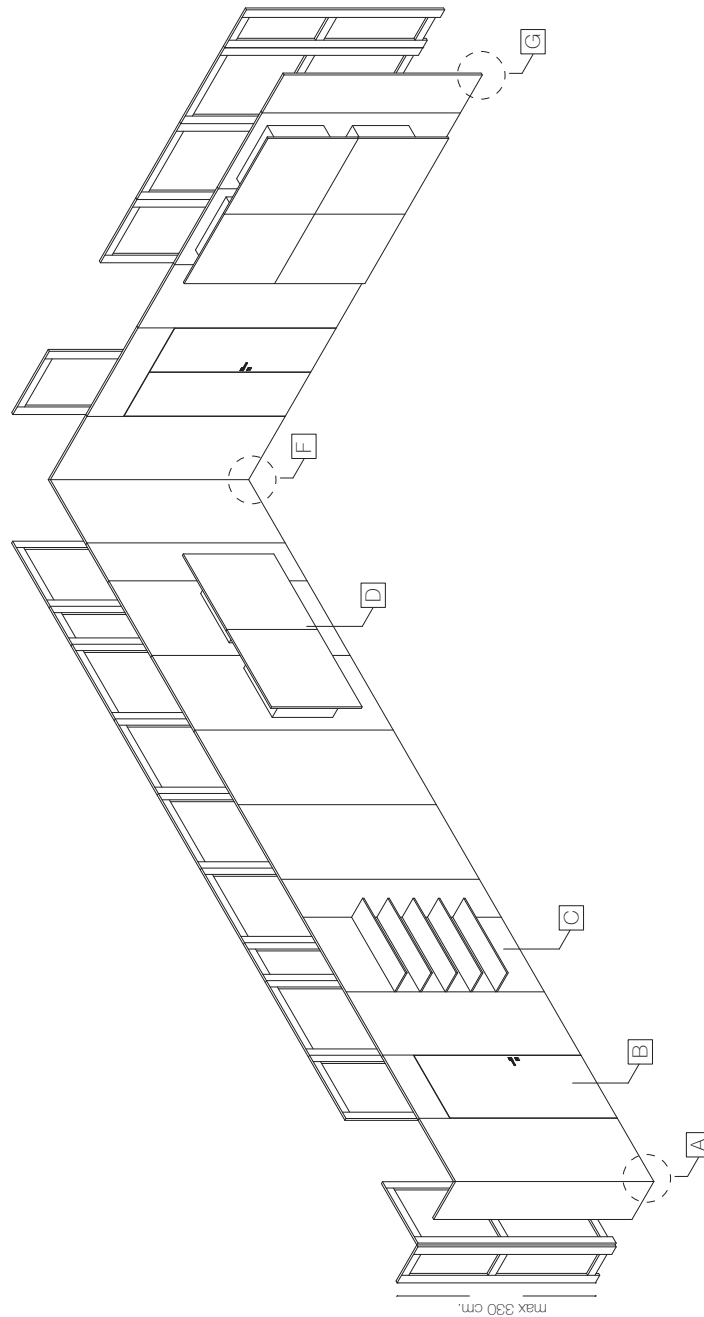
max 330  
max [129 15/16"]

-Dimensions in centimeters and inches.

The right to discontinue and make changes is reserved.

This information is based on the latest product information available at the time of printing.

\_dimensions

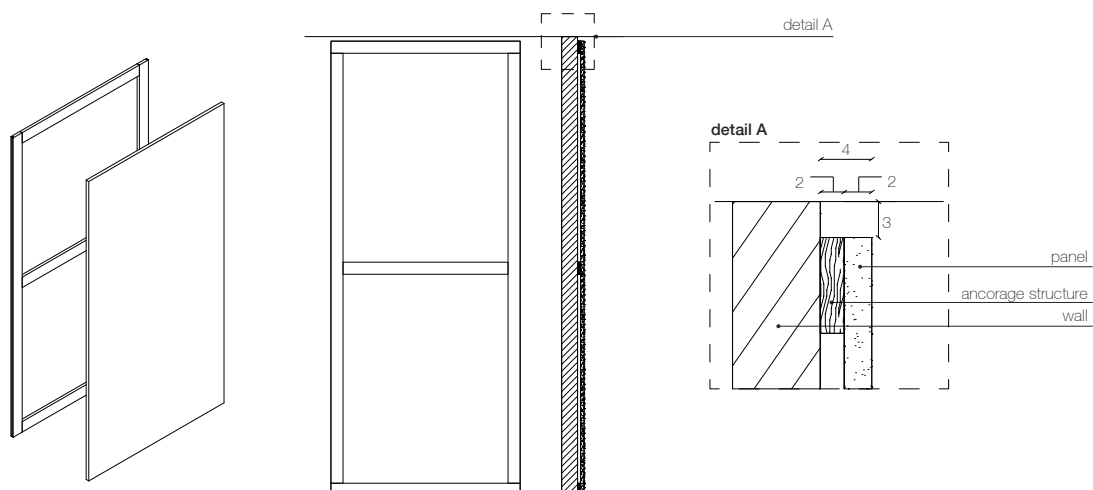


wall panel system with hinged doors - sistema boiserie con porte battenti  
wandpaneel systeem met flügelüren - système boiserie avec portes  
battantes - система стеновых панелей с распашными дверями

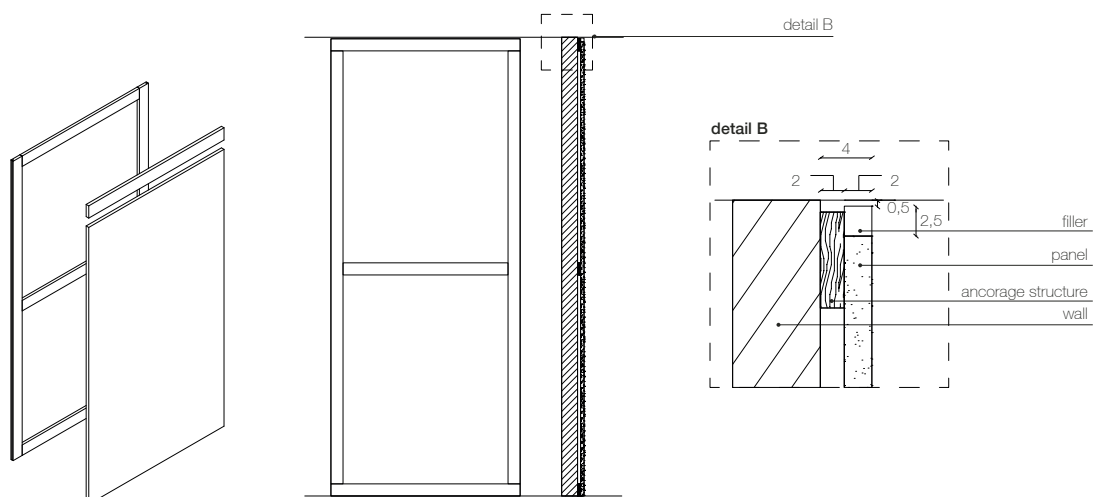
-Dimensions in centimeters and inches.  
The right to discontinue and make changes is reserved.  
This information is based on the latest product information available at the time of printing.

\_dimensions

**wall panel** - pannello boiserie -  
wandpaneel - panneau boiserie - Стеновая панель

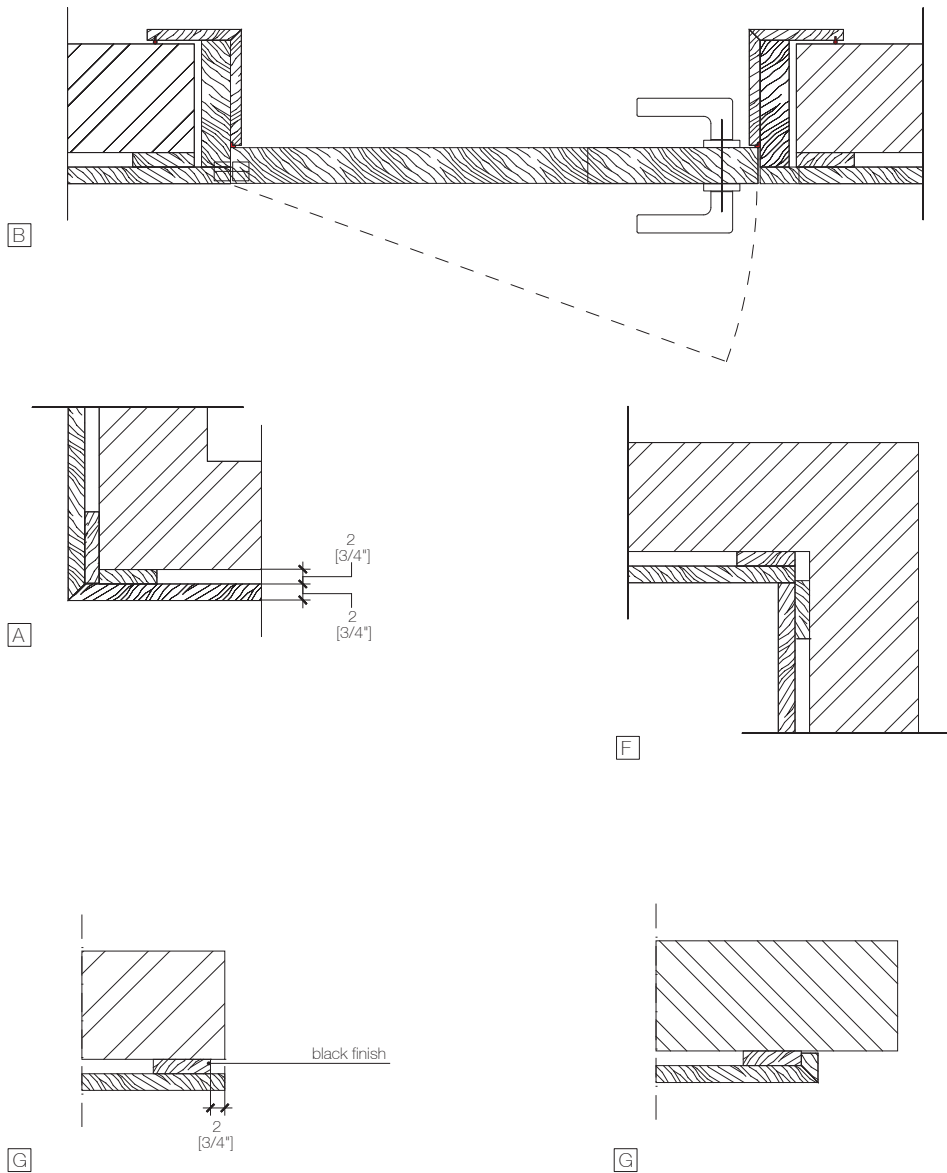


**wall panel with closing band** - pannello boiserie con fascia di chiusura -  
wandpaneel mit schlussband - panneau boiserie avec bande de fermeture  
Стеновая панель с закрывающей лентой



-Dimensions in centimeters and inches.  
The right to discontinue and make changes is reserved.  
This information is based on the latest product information available at the time of printing.

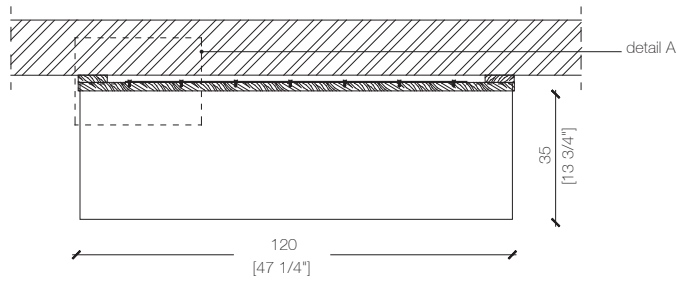
\_dimensions



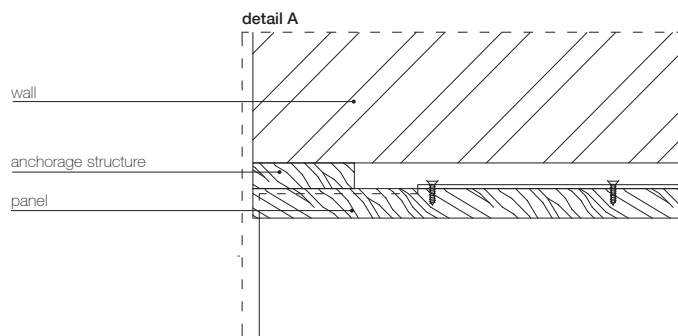
-Dimensions in centimeters and inches.  
The right to discontinue and make changes is reserved.  
This information is based on the latest product information available at the time of printing.

\_dimensions

metal shelf

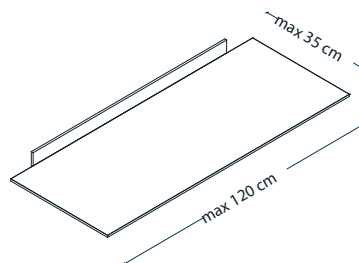
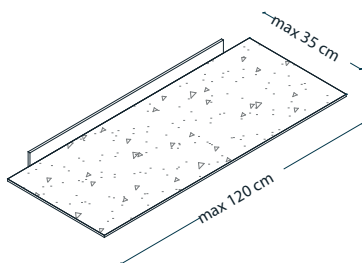


C



**matt lacquered metal shelf** - mensola in metallo laccata in finitura opaco - lackierte Konsole aus Metall mit matt finish  
étagère en métal laqué mat - Металлическая лакированная матовая полка

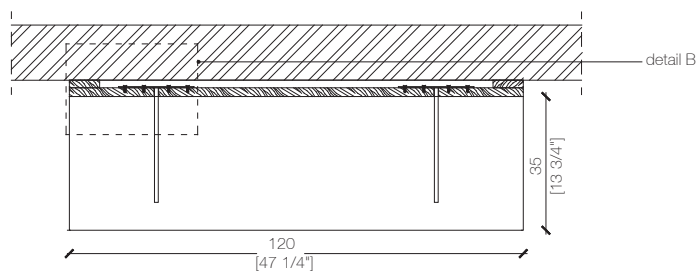
**metal shelf** - mensola in metallo - Konsole aus Metall  
étagère en métal - Полка из металла



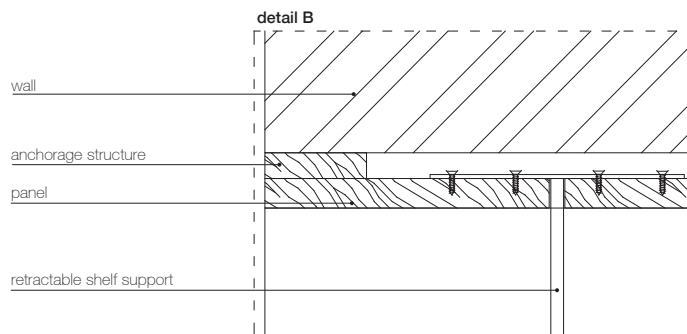
-Dimensions in centimeters and inches.  
The right to discontinue and make changes is reserved.  
This information is based on the latest product information available at the time of printing.

\_dimensions

wood shelf

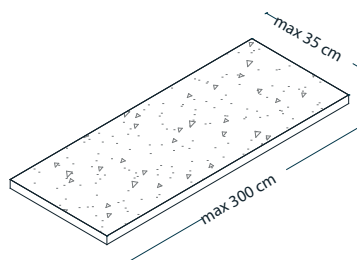
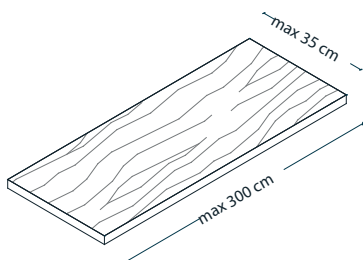


C



**plain wood veneered shelf** - mensola impiallacciata in legno liscio - konsolle mit glattem Holz furniert - étagère plaquée en bois lisse - Шпонированная гладкая полка

**brushed matt lacquered shelf** - mensola laccata in finitura opaco spazzolato - lackierte konsolle mit matt gebürstetem finish - étagère en bois laqué mat brossé - Лакированная матовая брашированная полка

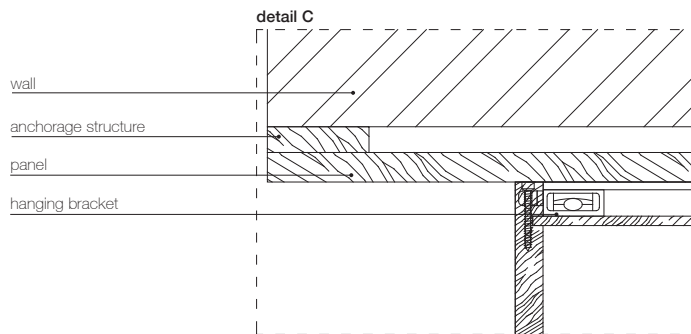
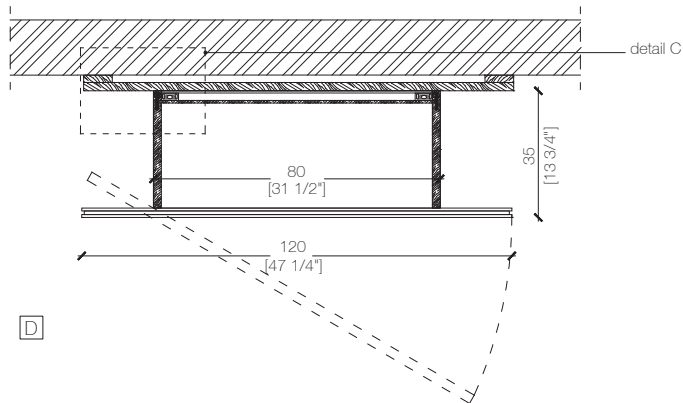


-Dimensions in centimeters and inches.

The right to discontinue and make changes is reserved.

This information is based on the latest product information available at the time of printing.

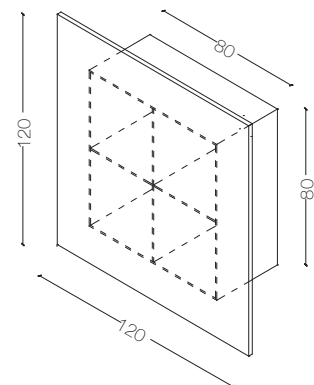
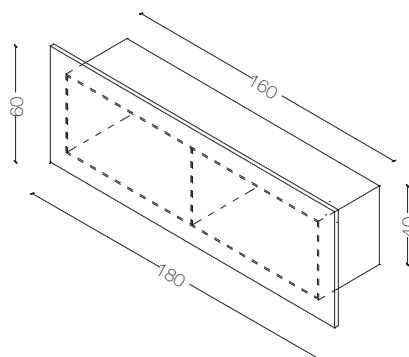
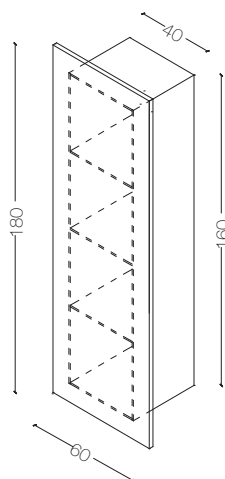
\_dimensions  
hanging unit



hanging unit - contenitore pensile  
hängeschränk - élément mural  
Навесной шкаф

hanging unit - contenitore pensile  
hängeschränk - élément mural  
Навесной шкаф

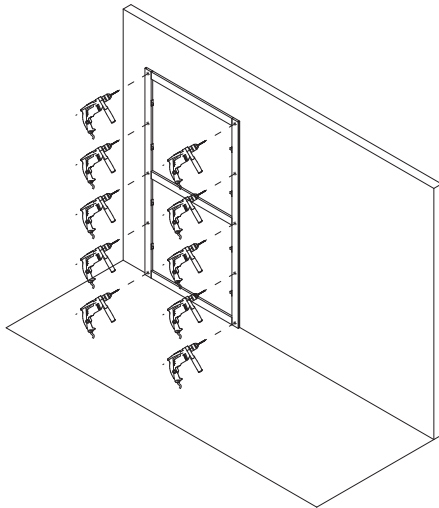
hanging unit - contenitore pensile  
hängeschränk - élément mural  
Навесной шкаф



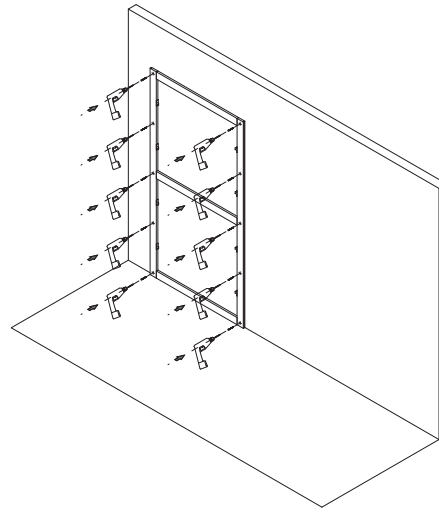
-Dimensions in centimeters and inches.  
The right to discontinue and make changes is reserved.  
This information is based on the latest product information available at the time of printing.

\_assembly instruction

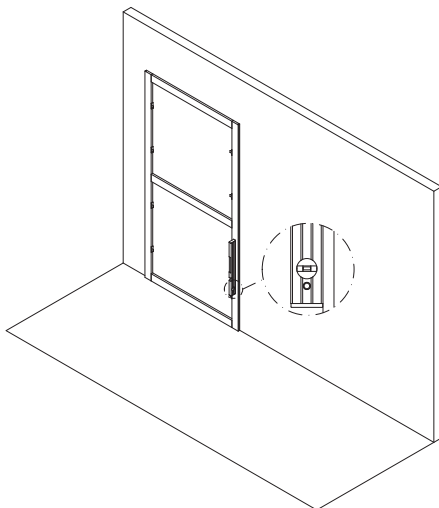
wall panels



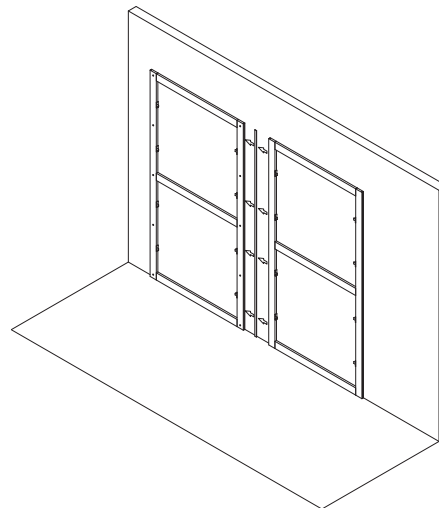
**1** Drill the frame and the wall. Insert in the wall the plugs suitable for the existent wall.



**2** Screw the frame to the wall.



**3** Check the vertical alignment.



**4** Place the alignment band into the proper milling on the frame. Place the second frame mortising it, through the proper milling, with the first one, already fixed to the wall.

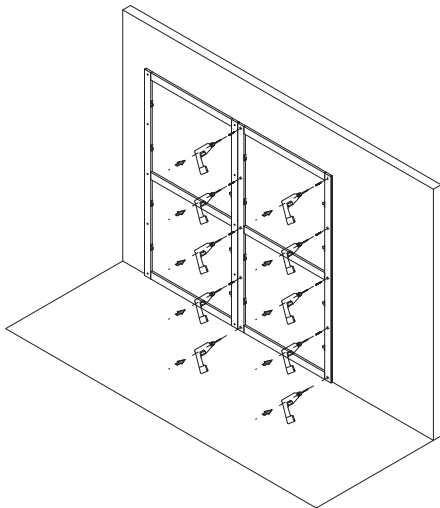
-Dimensions in centimeters and inches.

The right to discontinue and make changes is reserved.

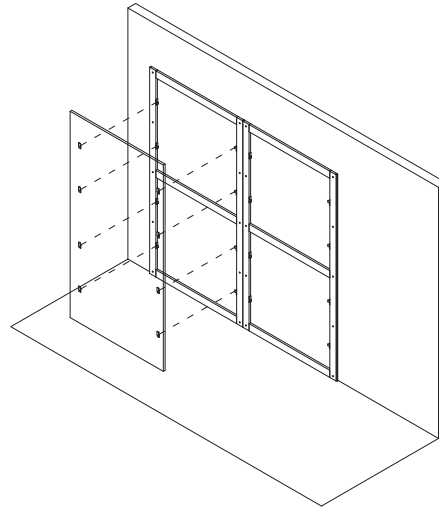
This information is based on the latest product information available at the time of printing.



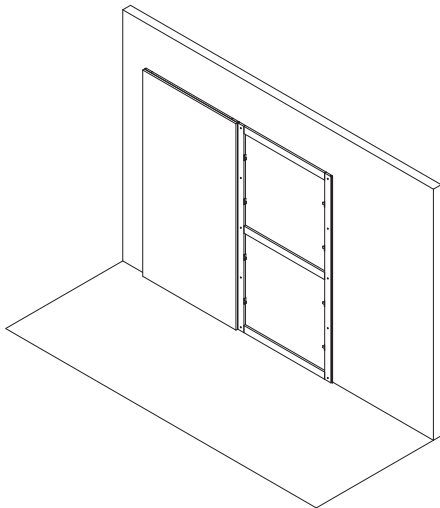
\_assembly instruction  
wall panels



**5** Repeat the operations nr. 1 - 2 - 3 - 4 for all the frames to be installed.



**6** Hook the wall panel through the pre-mounted frame supports and the respective ones pre-installed on the panel.

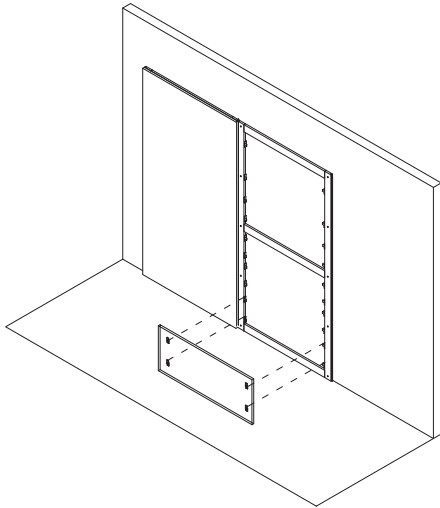


**7** Proceed with the next panels.

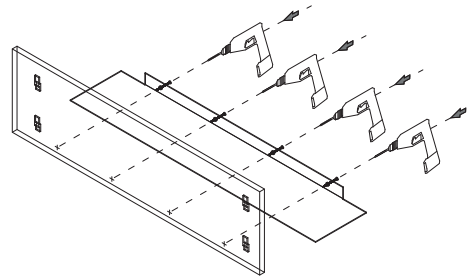
-Dimensions in centimeters and inches.  
The right to discontinue and make changes is reserved.  
This information is based on the latest product information available at the time of printing.

\_assembly instruction

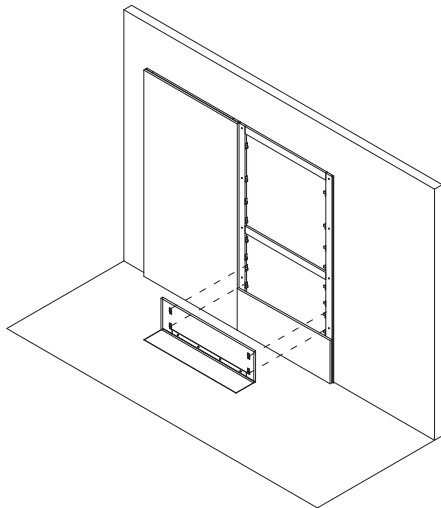
metal shelves



**1** Unpack the wall panel. Hook the wall panel through the pre-mounted frame supports and the respective ones pre-installed on the panel.



**2** Screw the shelf to the next panel.



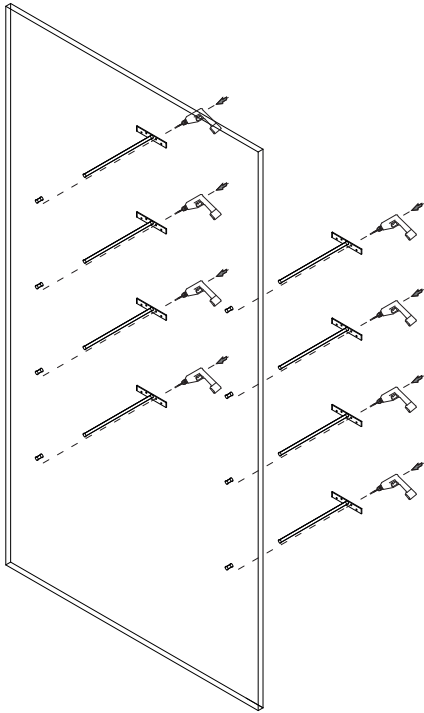
**3** Hook the panel with the shelf through the pre-installed frame supports and the corresponding ones pre-installed on the panel. Repeat the operations nr. 2 - 3 for all the panels with the shelves to be installed.

-Dimensions in centimeters and inches.

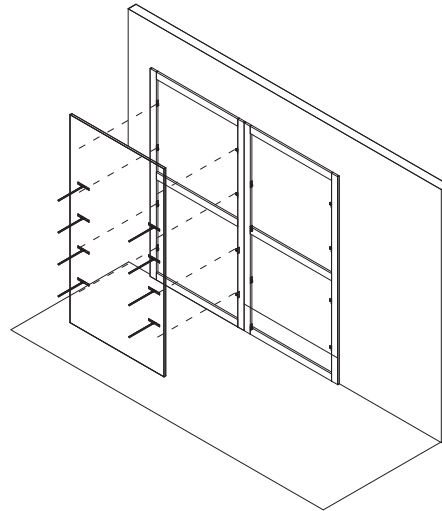
The right to discontinue and make changes is reserved.

This information is based on the latest product information available at the time of printing.

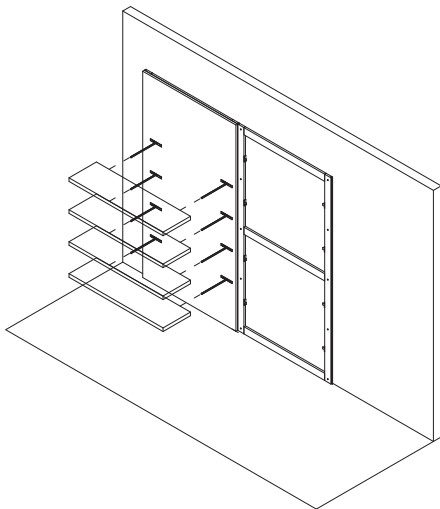
\_assembly instruction  
wood panel



**\_1** Screw the retractable shelf support to the panel.



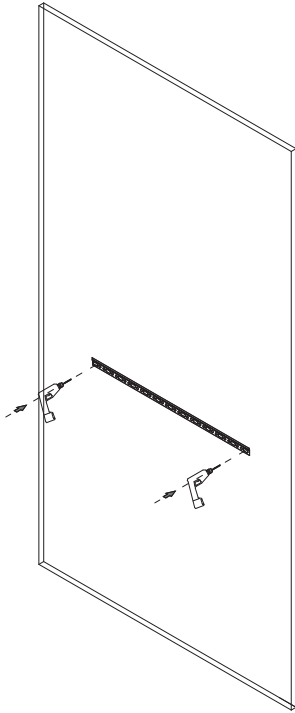
**\_2** Hook the wall panel with the shelf support through the pre-installed frame supports and the corresponding ones pre-installed on the panel.



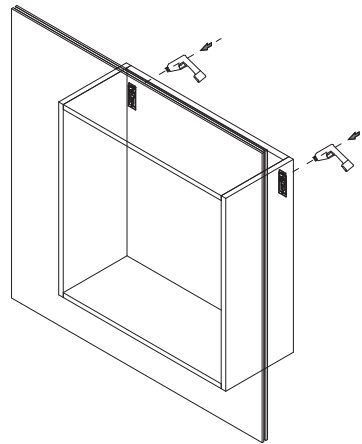
**\_3** Place the shelf

-Dimensions in centimeters and inches.  
The right to discontinue and make changes is reserved.  
This information is based on the latest product information available at the time of printing.

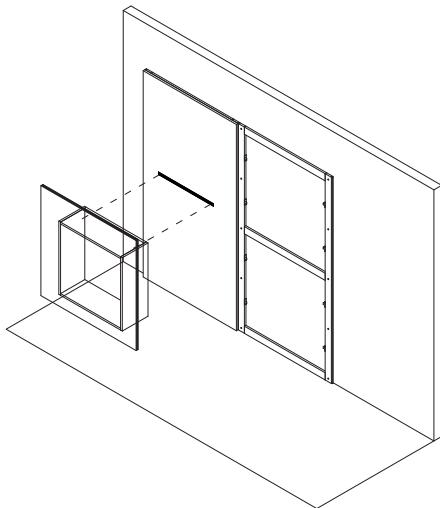
\_assembly instruction  
hanging unit



1 Screw the bracket to the panel.



2 Screw the hanging bracket to the hanging unit.



3 Hook the hanging unit through the pre-installed supports.

-Dimensions in centimeters and inches.  
The right to discontinue and make changes is reserved.  
This information is based on the latest product information available at the time of printing.