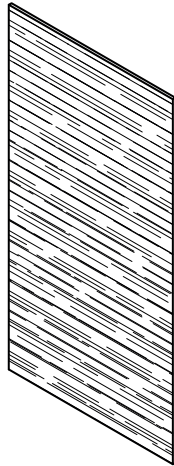
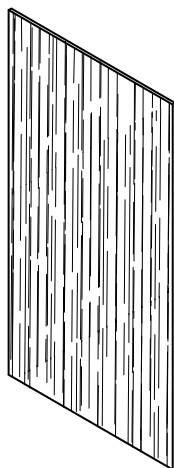
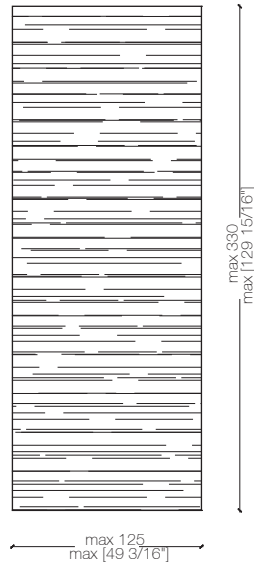


_dimension limits

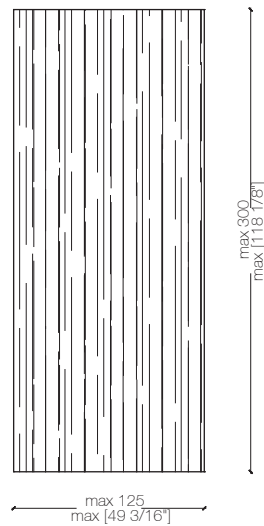
wall panel - pannello boiserie -
wandpaneel - panneau boiserie - Стеновая панель



horizontal
decor carving



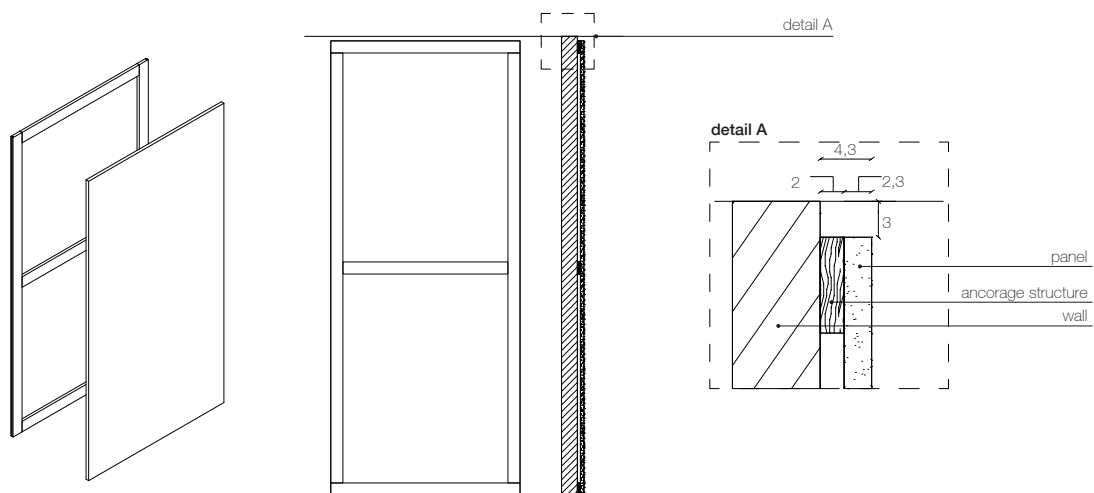
vertical
decor carving



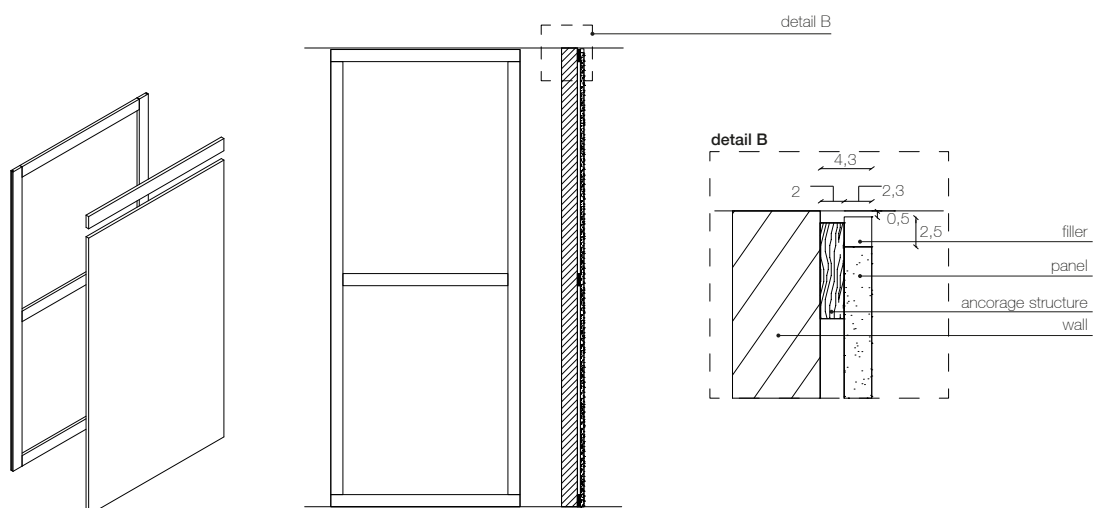
-Dimensions in centimeters and inches.
The right to discontinue and make changes is reserved.
This information is based on the latest product information available at the time of printing.

_dimensions limits

wall panel - pannello boiserie -
wandpaneel - panneau boiserie - Стеновая панель

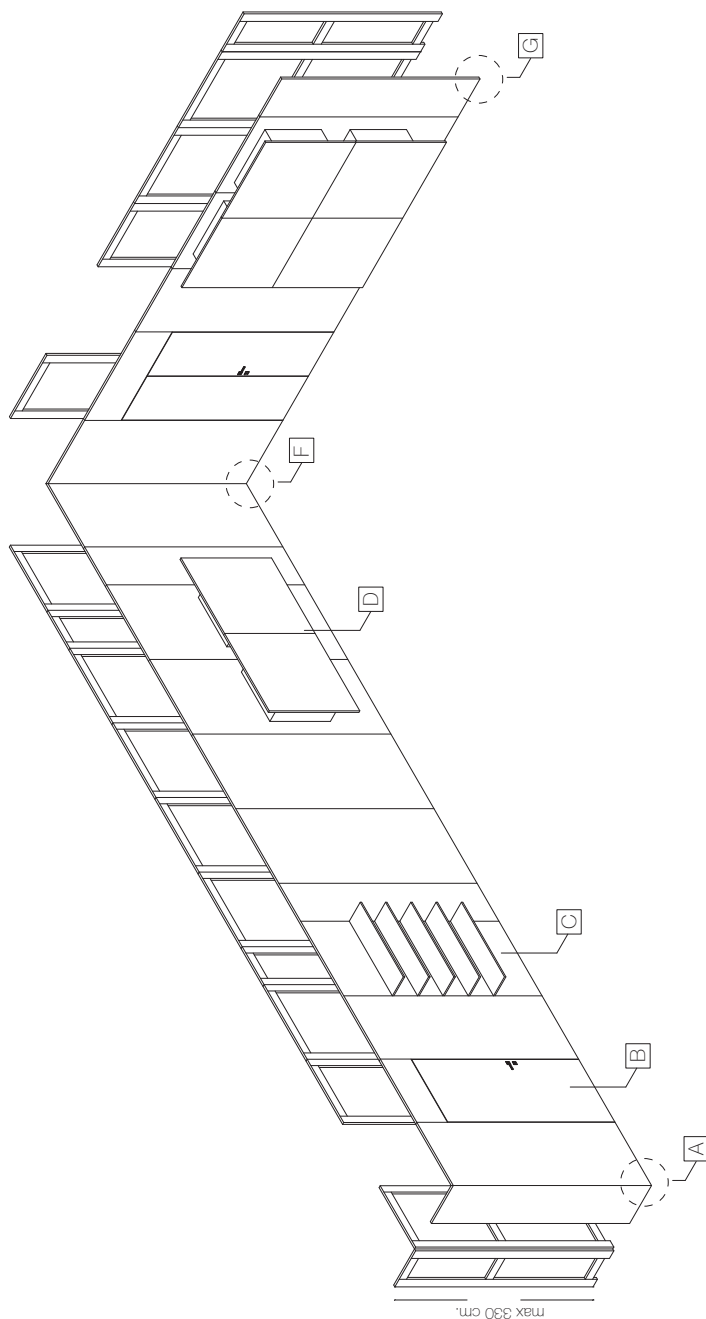


wall panel with closing band - pannello boiserie con fascia di chiusura -
wandpaneel mit schlussband - panneau boiserie avec bande de fermeture
Стеновая панель с закрывающей лентой



-Dimensions in centimeters and inches.
The right to discontinue and make changes is reserved.
This information is based on the latest product information available at the time of printing.

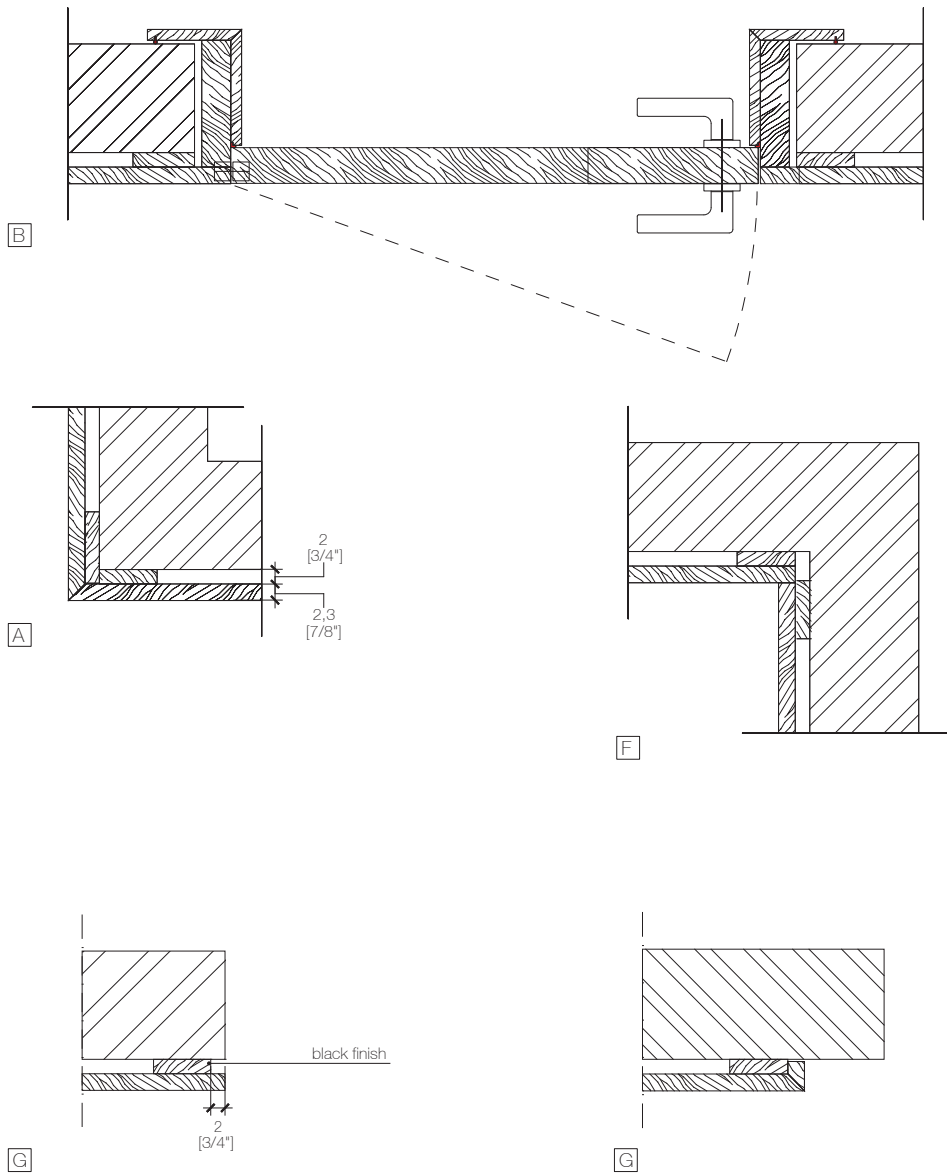
_dimensions



wall panel system with hinged doors - sistema boiserie con porte battenti
wandpaneelle system mit flügeltüren - système boiserie avec portes
battantes - система стеновых панелей с распашными дверями

-Dimensions in centimeters and inches.
The right to discontinue and make changes is reserved.
This information is based on the latest product information available at the time of printing.

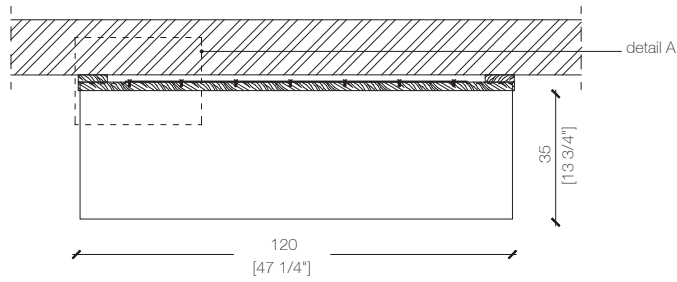
_dimensions



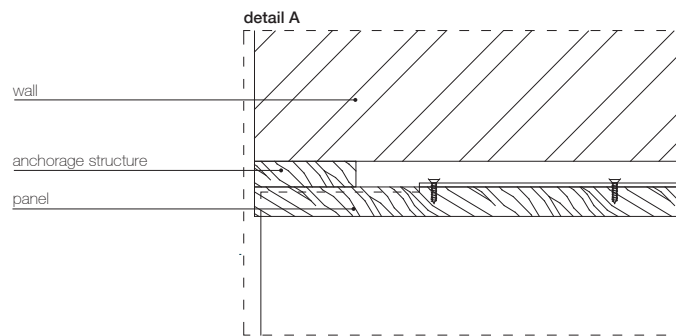
-Dimensions in centimeters and inches.
The right to discontinue and make changes is reserved.
This information is based on the latest product information available at the time of printing.

_dimensions

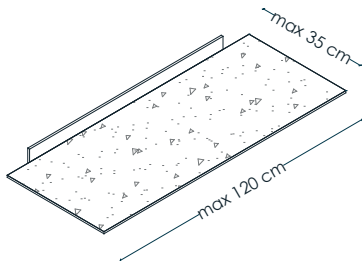
metal shelf



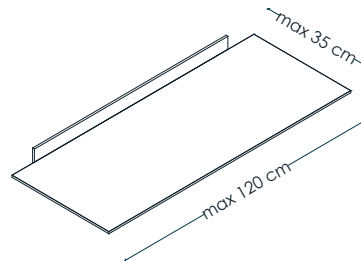
C



matt lacquered metal shelf - mensola in metallo laccata in finitura opaco - lackierte Konsole aus Metall mit matt finish
étagère en métal laqué mat - Металлическая лакированная матовая полка



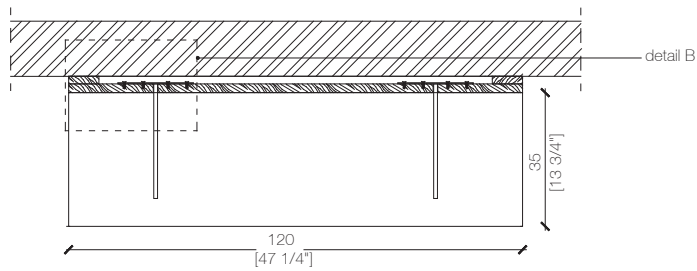
metal shelf - mensola in metallo - konsole aus Metall
étagère en métal - Полка из металла



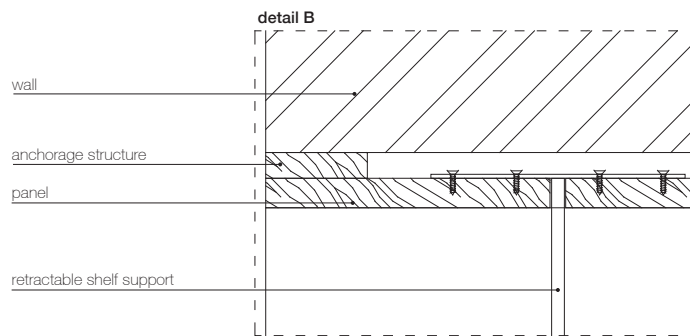
-Dimensions in centimeters and inches.
The right to discontinue and make changes is reserved.
This information is based on the latest product information available at the time of printing.

_dimensions

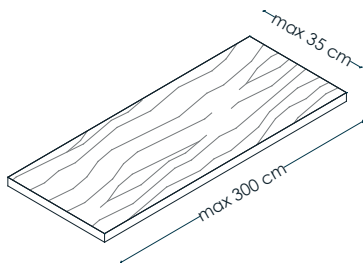
wood shelf



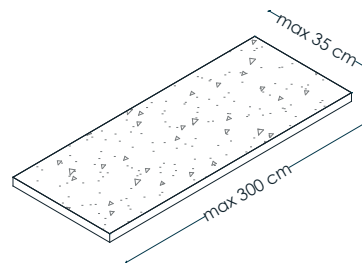
□



plain wood veneered shelf - mensola impiallacciata in legno liscio - konsolle mit glattem Holz furniert - étagère plaquée en bois lisse - Шпонированная гладкая полка

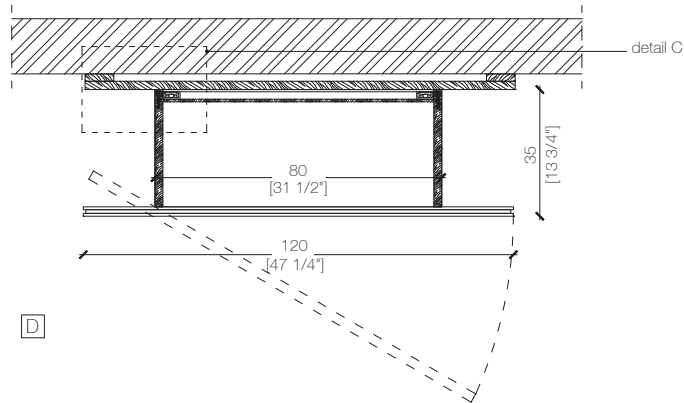


brushed matt lacquered shelf - mensola laccata in finitura opaco spazzolato - lackierte konsolle mit matt gebürstetem finish - étagère en bois laqué mat brossé - Лакированная матовая брашированная полка

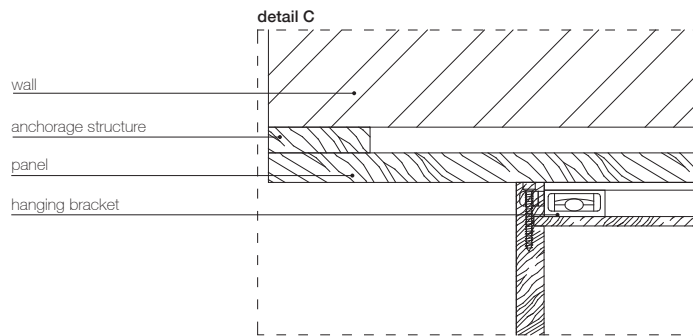


-Dimensions in centimeters and inches.
The right to discontinue and make changes is reserved.
This information is based on the latest product information available at the time of printing.

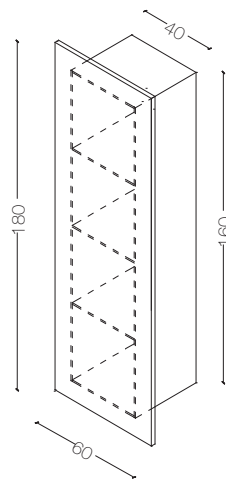
_dimensions
hanging unit



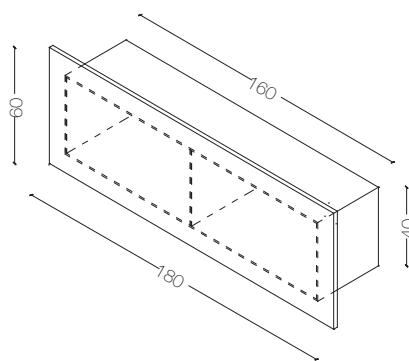
D



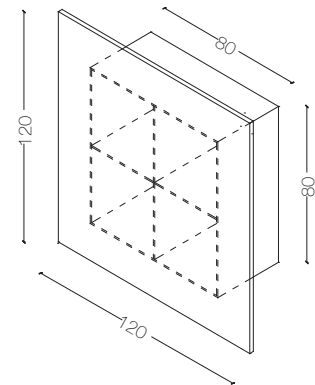
hanging unit - contenitore pensile
hängeschrank - élément mural
Навесной шкаф



hanging unit - contenitore pensile
hängeschrank - élément mural
Навесной шкаф



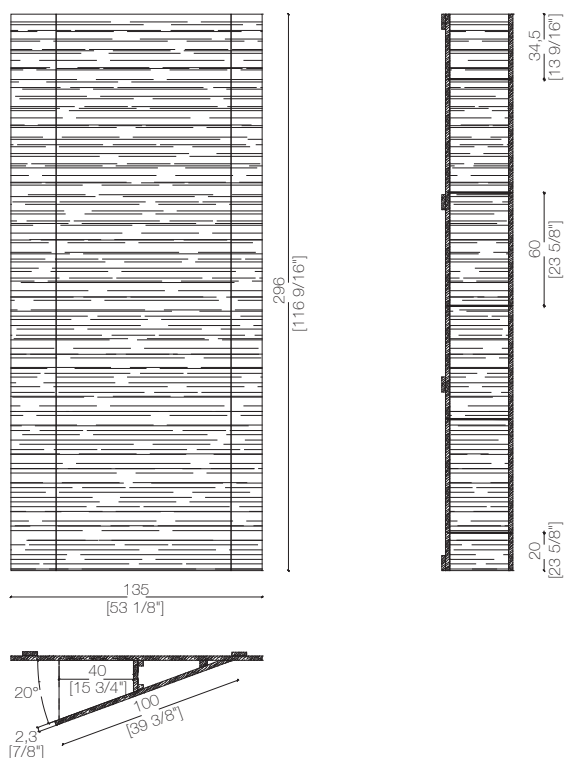
hanging unit - contenitore pensile
hängeschrank - élément mural
Навесной шкаф



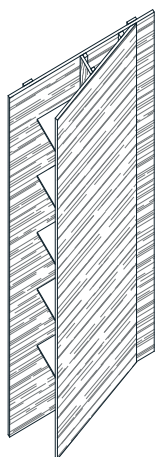
-Dimensions in centimeters and inches.
The right to discontinue and make changes is reserved.
This information is based on the latest product information available at the time of printing.

_dimensions

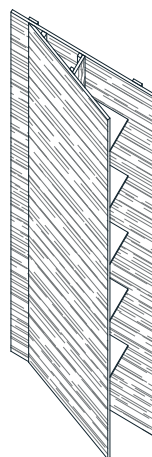
bookcase wall panel



bookcase wall panel - pannello boiserie
libreria - wandpaneel mit bücherregal
exemple de boiserie - Стеновая панель -
книжный шкаф



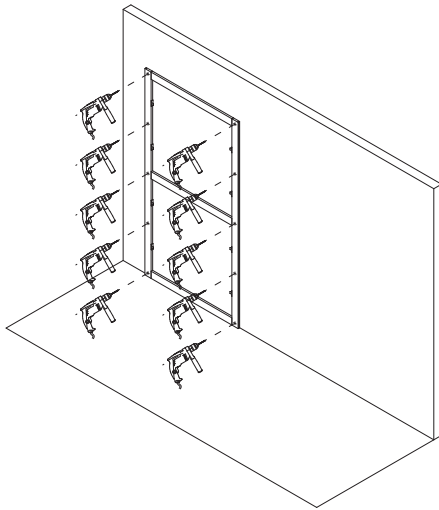
bookcase wall panel - pannello boiserie
libreria - wandpaneel mit bücherregal
exemple de boiserie - Стеновая панель -
книжный шкаф



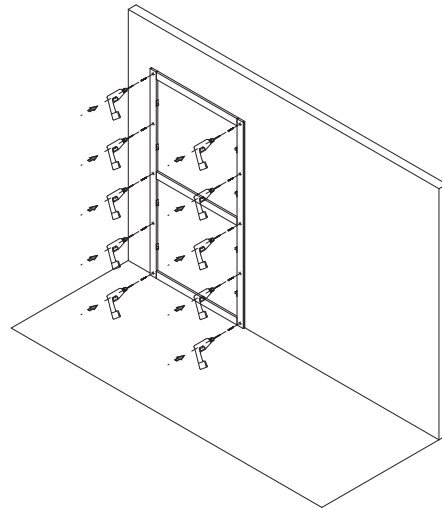
-Dimensions in centimeters and inches.
The right to discontinue and make changes is reserved.
This information is based on the latest product information available at the time of printing.

_assembly instruction

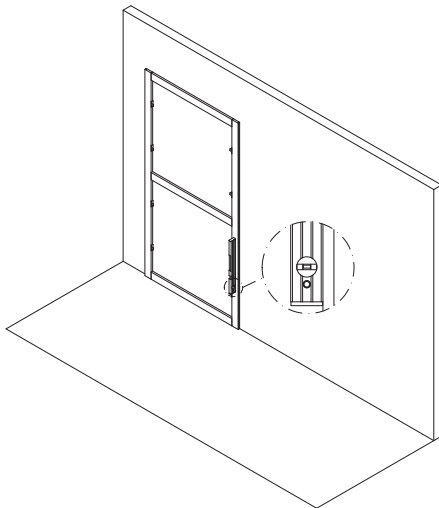
wall panels



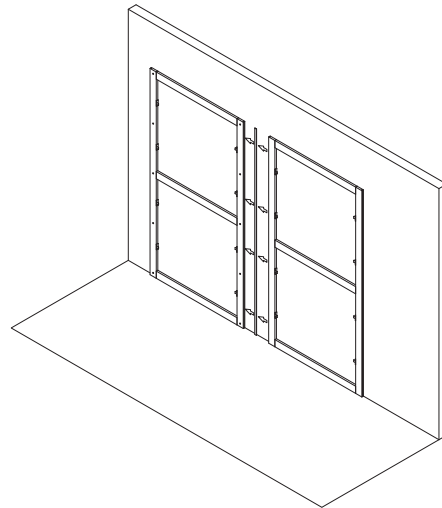
1 Drill the frame and the wall. Insert in the wall the plugs suitable for the existent wall.



2 Screw the frame to the wall.



3 Check the vertical alignment.

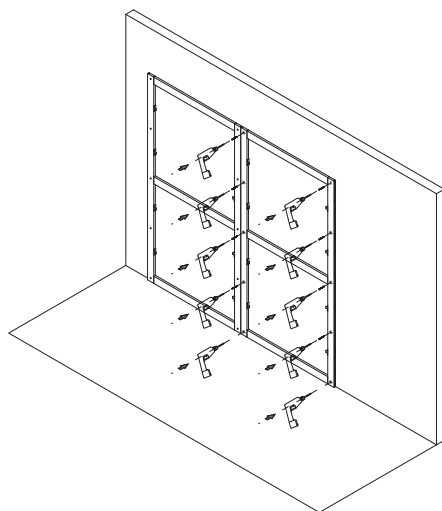


4 Place the alignment band into the proper milling on the frame. Place the second frame mortising it, through the proper milling, with the first one, already fixed to the wall.

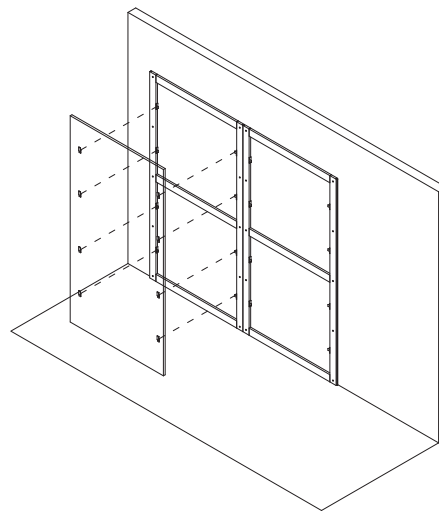
-Dimensions in centimeters and inches.
The right to discontinue and make changes is reserved.
This information is based on the latest product information available at the time of printing.

_assembly instruction

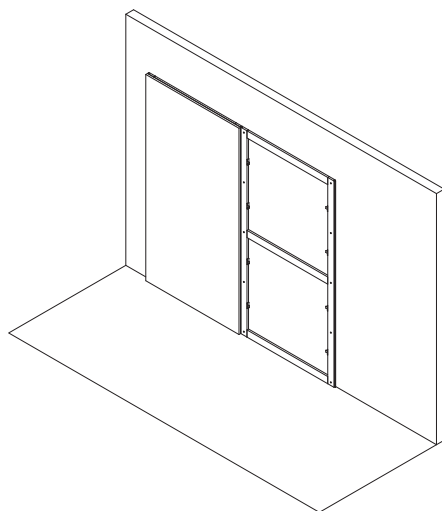
wall panels



5 Repeat the operations nr. 1 - 2 - 3 - 4 for all the frames to be installed.



6 Hook the wall panel through the pre-mounted frame supports and the respective ones pre-installed on the panel.

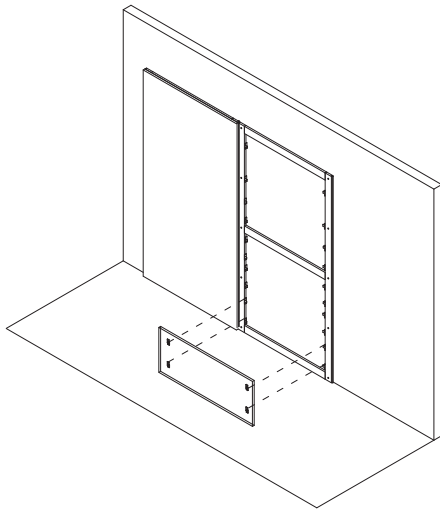


7 Proceed with the next panels.

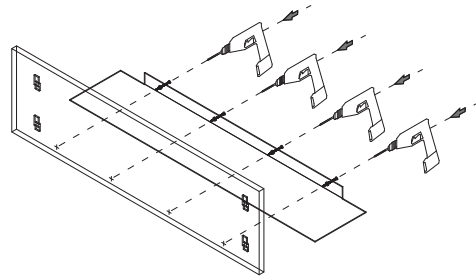
-Dimensions in centimeters and inches.
The right to discontinue and make changes is reserved.
This information is based on the latest product information available at the time of printing.

_assembly instruction

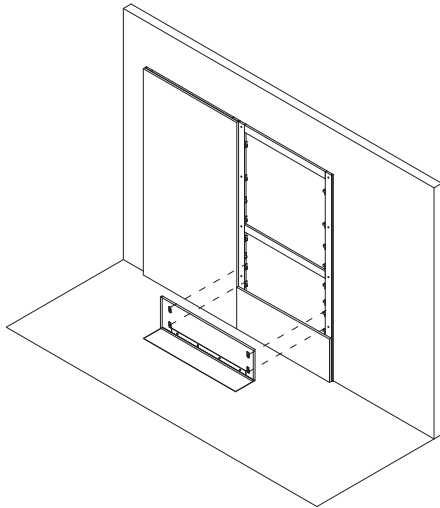
metal shelves



1 Unpack the wall panel. Hook the wall panel through the pre-mounted frame supports and the respective ones pre-installed on the panel.



2 Screw the shelf to the next panel.



3 Hook the panel with the shelf through the pre-installed frame supports and the corresponding ones pre-installed on the panel. Repeat the operations nr. 2 - 3 for all the panels with the shelves to be installed.

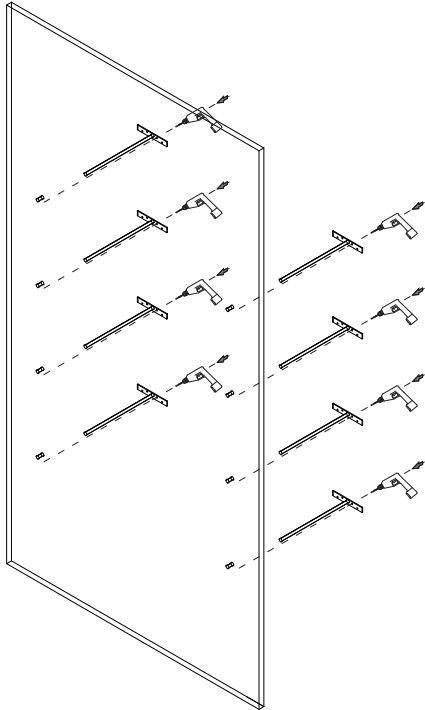
-Dimensions in centimeters and inches.

The right to discontinue and make changes is reserved.

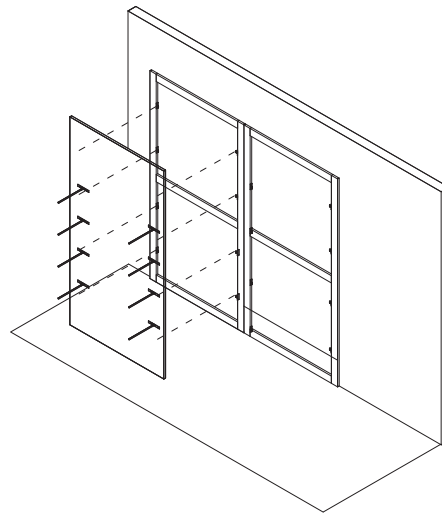
This information is based on the latest product information available at the time of printing.

_assembly instruction

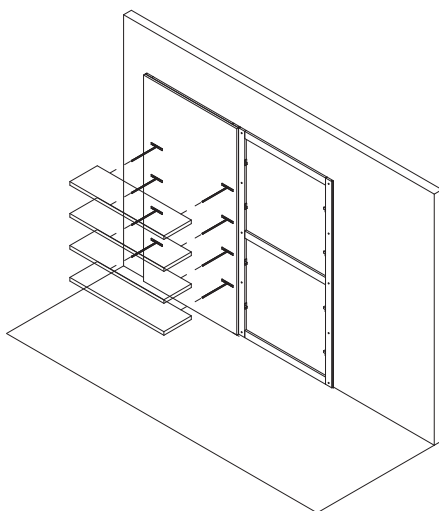
wood panel



_1 Screw the retractable shelf support to the panel.



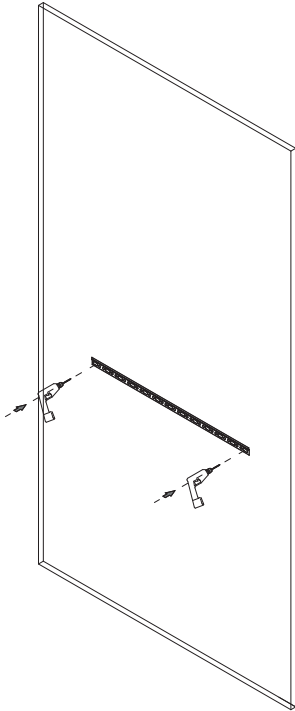
_2 Hook the wall panel with the shelf support through the pre-installed frame supports and the corresponding ones pre-installed on the panel.



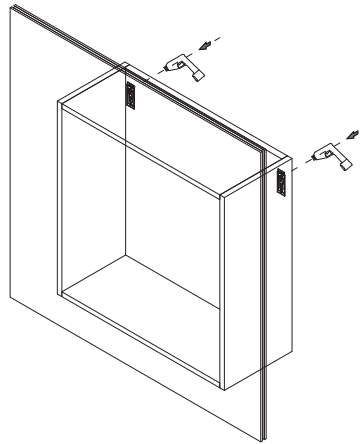
_3 Place the shelf

-Dimensions in centimeters and inches.
The right to discontinue and make changes is reserved.
This information is based on the latest product information available at the time of printing.

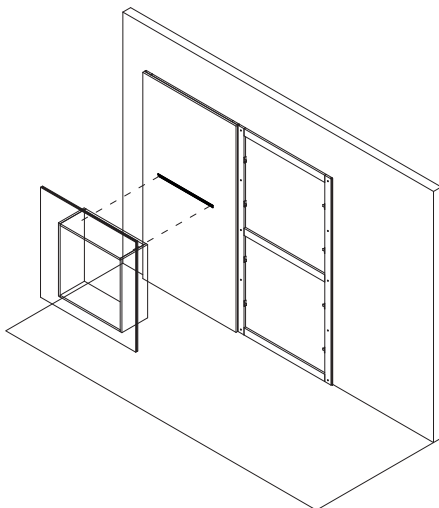
_assembly instruction
hanging unit



-1 Screw the bracket to the panel.



-2 Screw the hanging bracket to the hanging unit.



-3 Hook the hanging unit through the pre-installed supports.

-Dimensions in centimeters and inches.
The right to discontinue and make changes is reserved.
This information is based on the latest product information available at the time of printing.