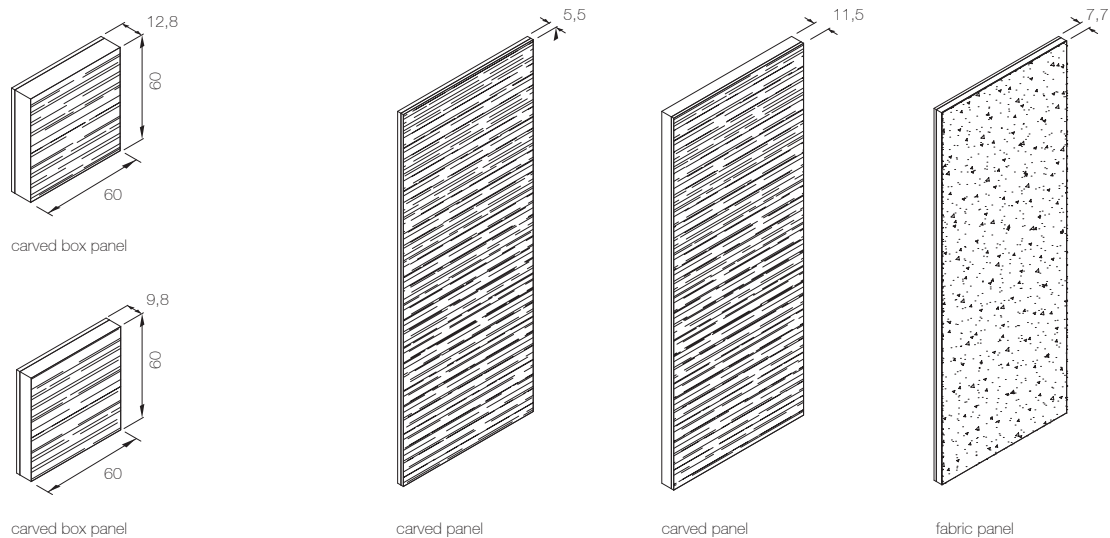
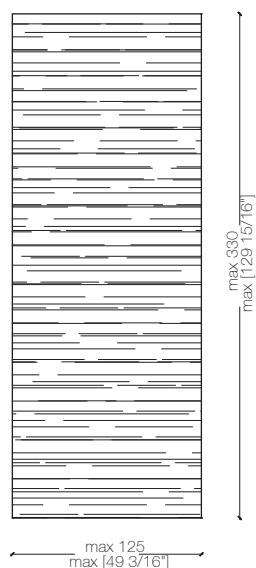


_range



_dimension limits

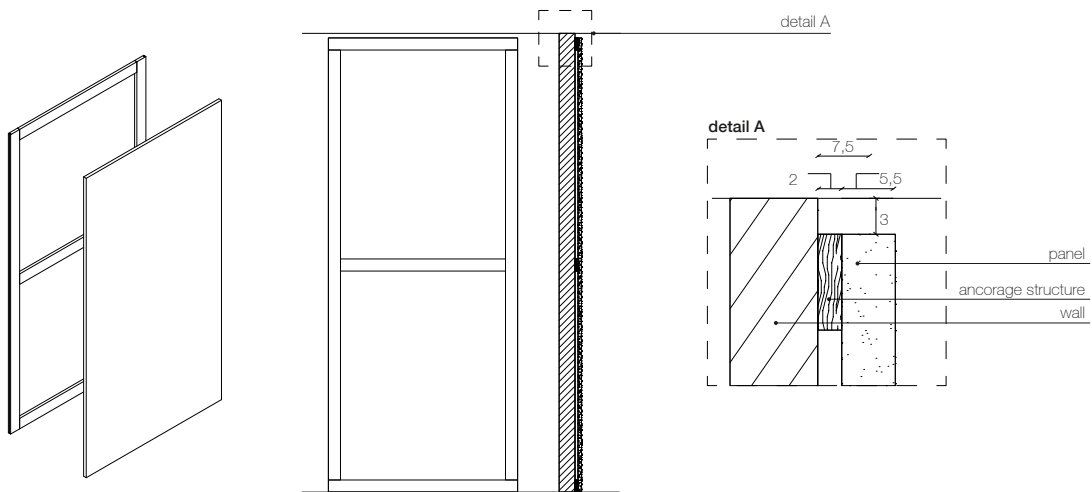
wall panel - pannello boiserie -
wandpaneel - panneau boiserie - Стеновая панель



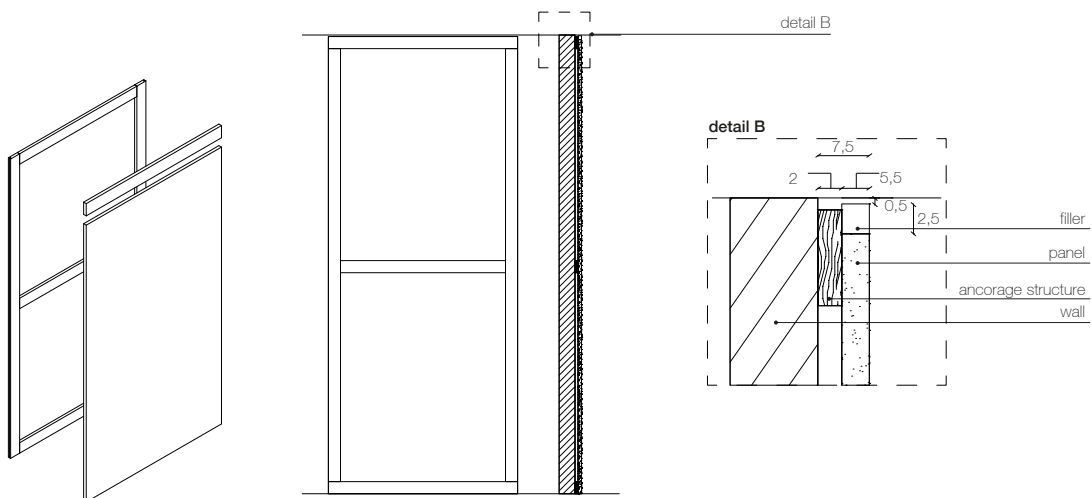
-Dimensions in centimeters and inches.
The right to discontinue and make changes is reserved.
This information is based on the latest product information available at the time of printing.

_dimensions

wall panel - pannello boiserie -
wandpaneel - panneau boiserie - Стеновая панель

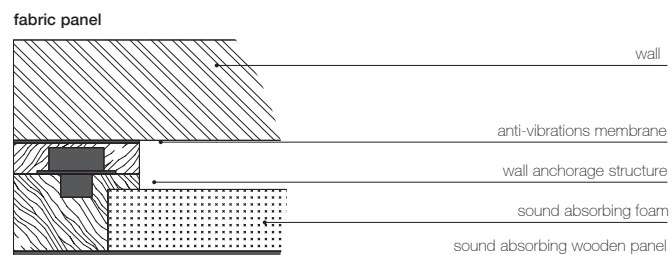
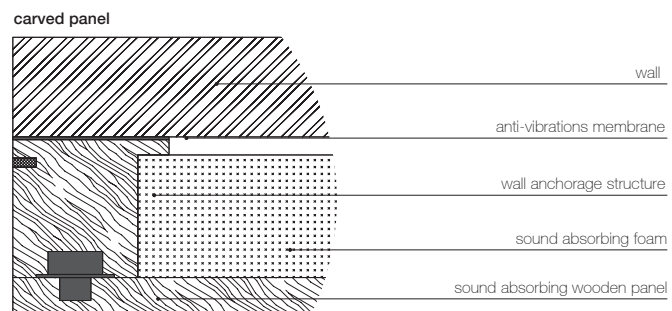
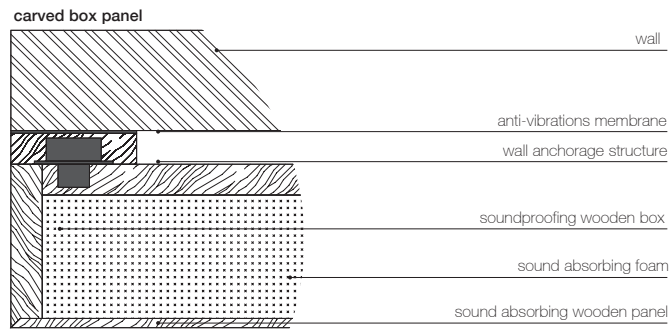


wall panel with closing band - pannello boiserie con fascia di chiusura -
wandpaneel mit schlussband - panneau boiserie avec bande de fermeture
Стеновая панель с закрывающей лентой



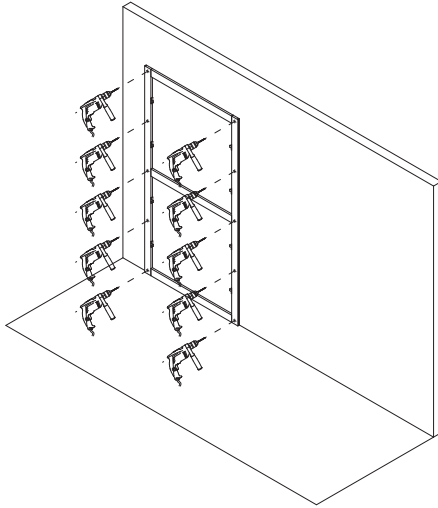
-Dimensions in centimeters and inches.
The right to discontinue and make changes is reserved.
This information is based on the latest product information available at the time of printing.

_dimensions

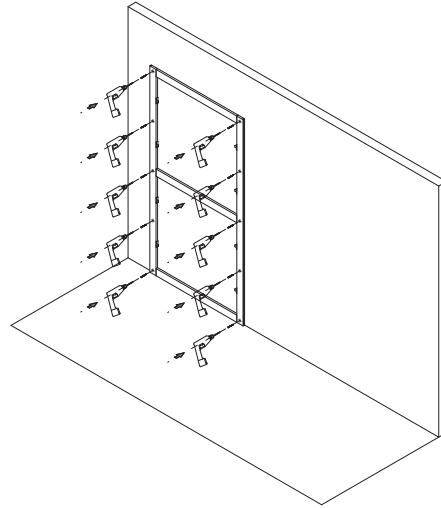


-Dimensions in centimeters and inches.
The right to discontinue and make changes is reserved.
This information is based on the latest product information available at the time of printing.

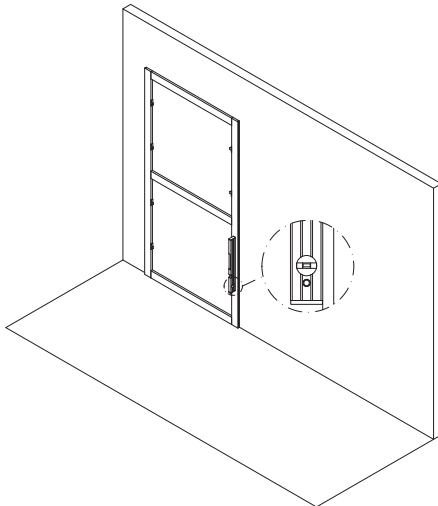
_dimensions



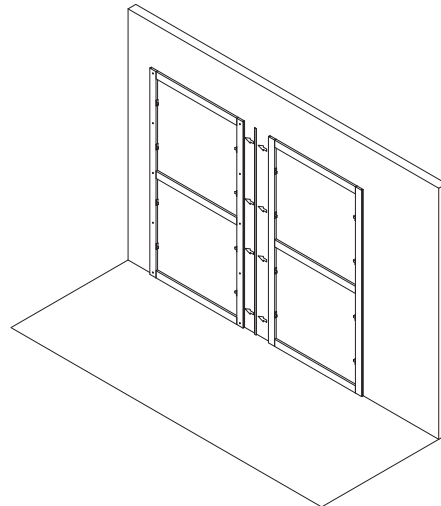
1 Drill the frame and the wall. Insert in the wall the plugs suitable for the existent wall.



2 Screw the frame to the wall.



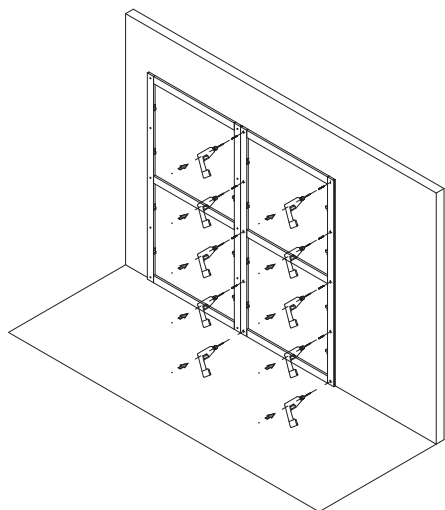
3 Check the vertical alignment.



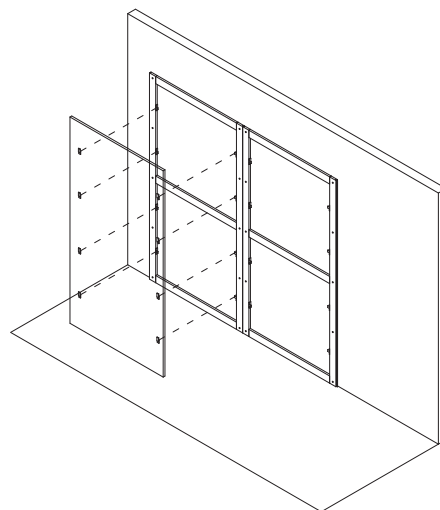
4 Place the alignment band into the proper milling on the frame. Place the second frame mortising it, through the proper milling, with the first one, already fixed to the wall.

-Dimensions in centimeters and inches.
The right to discontinue and make changes is reserved.
This information is based on the latest product information available at the time of printing.

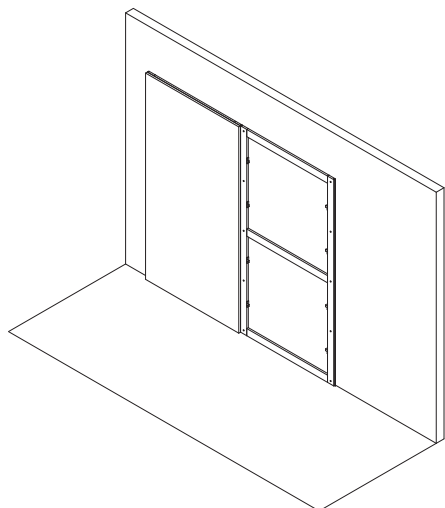
_dimensions



5 Repeat the operations nr. 1 - 2 - 3 - 4 for all the frames to be installed.



6 Hook the wall panel through the pre-mounted frame supports and the respective ones pre-installed on the panel.



7 Proceed with the next panels.

-Dimensions in centimeters and inches.
The right to discontinue and make changes is reserved.
This information is based on the latest product information available at the time of printing.