

# Frameless Single Pocket



## LEGEND

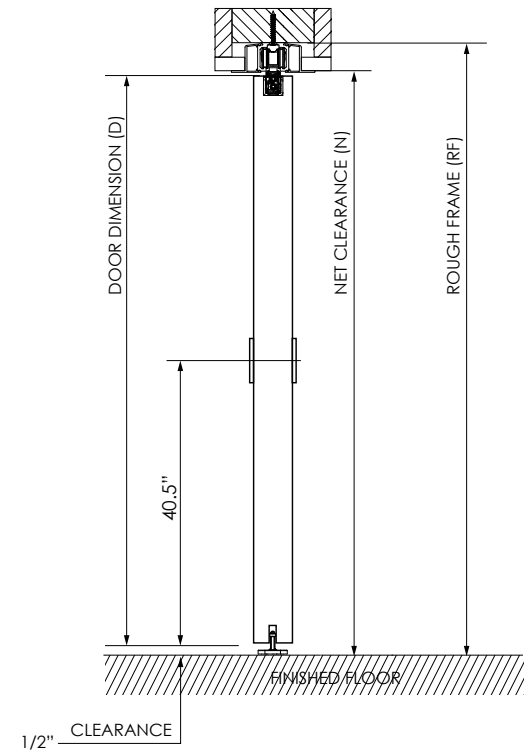
Dimensions in inches

RF	ROUGH FRAME	
D	DOOR DIMENSION	$RF - 1.375$
N	NET CLEARANCE	$RF - 1.1875$

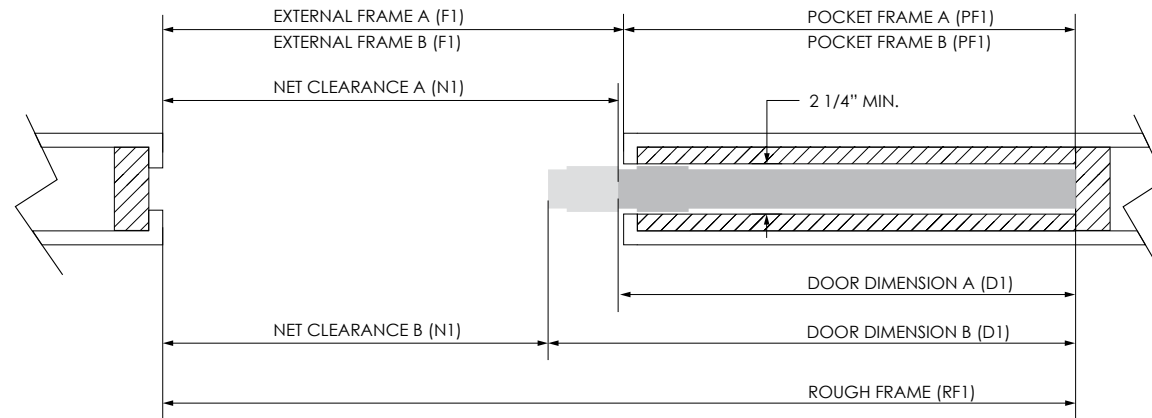
RF1	ROUGH FRAME	
D1 (A)	DOOR DIMENSION	$(RF1 / 2) + 0.5$
N1 (A)	NET CLEARANCE	$(RF1 / 2) - 0.25$
PF (A)	POCKET FRAME	$(RF1 / 2) + 0.375$
F1 (A)	EXTERNAL FRAME	$(RF1 / 2) - 0.375$
D1 (B)	DOOR DIMENSION	$(RF1 / 2) + 2$
N1 (B)	NET CLEARANCE	$(RF1 / 2) - 2$
PF1 (B)	POCKET FRAME	$(RF1 / 2) - 1$
F1 (B)	EXTERNAL FRAME	$(RF1 / 2) + 1$

\*Specifications are subject to change without notice.

## SIDE VIEW



## TOP VIEW



**OPTION A:**

- IN OPEN POSITION DOOR IS FLUSH (+1/8") WITH FRAME
- EDGE PULL REQUIRED

**OPTION B (DEFAULT):**

- IN OPEN POSITION DOOR EXTENDS INTO THE OPENING BY 3"